


Releases

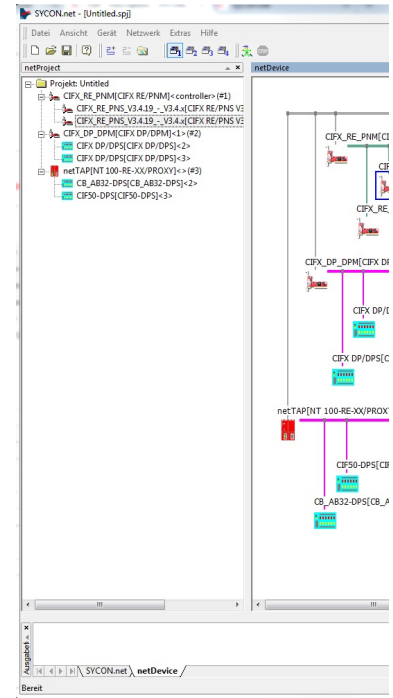
	Current release:	<ul style="list-style-type: none"> • V1.0500.19 1115.29917 	For previous versions see version history.
---	------------------	---	--

Operating Systems

Microsoft Windows 2000	Microsoft Windows XP SP3	Microsoft Windows Vista SP2	Microsoft Windows 7	Microsoft Windows 8	Microsoft Windows 8.1	Microsoft Windows 10
✗	✗	✓	✓	✓	✓	✓

General Information

	<h4 style="margin-top: 0;">Features</h4> <ul style="list-style-type: none"> • Flexible, component based modular software
---	---




News

Blog Posts

- [Support of modular EtherCAT devices created by Frank Fährmann](#)
2014-05-30
EtherCAT Generic Slave DTM

FAQs



- Easy device integration based on device description files:
 - **GSD/GSE/GSD**, Profibus
 - **EDS**
 - CANopen
 - CIP protocols
 - AS-i
 - **GSDML**, Profinet
 - **SDDML**, Sercos
 - **ESI**, EtherCAT
- Plugins and Interfaces for seamless integration into third party engineering and asset management systems
- Flexible brand-labeling and custom-designing options

- Digital Signature of SYCON.net installation can not verified by windows
- Failed to add PROFINET IO Generic Device DTM to Controller DTM in FieldCare

For more details on SYCON.net features click [here...](#)



Description

For more details click [here...](#)

Road map

For more details click [here...](#)

Documentation

Document Type	Title	Contents	Rev	Date	File Type
User Manual	SYCON.net basics	SYCON.net	11	2014-08-19	PDF
User Manual	SYCON.net configuration	SYCON.net	11	2014-08-19	PDF

- Failed to add Ethernet/IP Generic Adapter DTM to Scanner DTM in FieldCare
- Uninstall corrupt Installation

- How to change the value of EtherCAT CoE command for cycle time or other parameters?
- In the installation of SYCON.N.net a program can not be finished successfully

- Net
wo
rk
Sc
an
- Wh
y
do
es
my
mo
dul
ar
ED
S
file
not
wo
rk?
- Ca
nn
ot
Cr
eat
e
SY
CO
N.n
et
Pro
ject
- Pro
ces
s
Dat
a
Int
er
fac
e

More
FAQs .

..